

# JVC®

The Perfect Experience

## 17" HD Multi-Format AC/DC LCD Monitor DT-V17L3D



**Achieving HD images, faithful to original signals, with less than one frame of latency**

### Features

- 1440x900 pixels
- AC/DC operation
- Circuits that deliver low latency of less than one frame
- Waveform monitoring with over level function
- Gold-plated HD/SD SDI terminals with embedded audio
- DVI-D with HDCP terminal
- High-performance LCD panel
- Exclusive JVC image processing technology
- Wide selection of video production functions
- Easy-to-operate front panel controls
- Rugged, adjustable stand provided
- 1:1 mode with HD (1920 x 1080 pixel array)
- Source ID input by ASCII code
- Information position selectable
- Full vertical screen mode for SD 4:3 signal

### Status Display



\*Information can be displayed in the upper or the lower blank area.

### Input Format

VIDEO		Input terminals			COMPUTER	
Signal name	Video	Component/RGB	HD/SD SDI	DVI-D with HDCP (video)	Signal name	DVI-D (PC)
NTSC	✓	—	—	—	VGA60	✓
PAL	✓	—	—	—	W-VGA60	✓
BW(50Hz/60Hz)	✓	—	—	—	SVGA60	✓
480/50i	—	✓	✓	✓	XGA60	✓
576/50i	—	✓	✓	✓	W-XGA60 (1280 x 768)	✓
480/60p	—	✓	✓	✓	W-XGA+60 (1440 x 900)	✓
576/50p	—	✓	✓	✓	SXGA60 (1280 x 1024)	✓
640 x 480/60p	—	✓	✓	✓	1920 x 1080@60/50	✓
720/24p, 25p, 30p	—	✓	✓	✓	1280 x 720@60/50	✓
720/50p, 60p	—	✓	✓	✓	W-SXGA+60 (1680 x 1050)	✓
1080/50i, 60i	—	✓	✓	✓	U-XGA60(1600 x 1200)	✓
1080/50p, 60p	—	✓	✓	✓	W-LXGA60 (1920 x 1200)	✓
1035/60i	—	✓ <sup>1)</sup>	✓	✓ <sup>1)</sup>		
1080/24p, 25p, 30p	—	✓	✓	✓		
1080/24psf, 30psf <sup>1)</sup>	—	✓	✓	✓		

<sup>1)</sup> It is displayed by 1080/60i.

### Front Panel



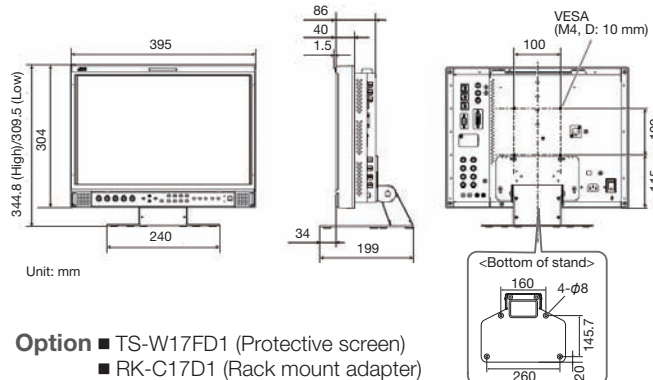
### Specifications

		DT-V17L3D
Model		DT-V17L3D
Type		Multi-format HDTV/SDTV LCD monitor
Screen Size		Type 17 wide format
Aspect Ratio		16:10
LCD Panel		17" wide, active matrix TFT
Effective Screen Size (W x H)		367.2 x 229.5 mm
Pixels		1440 x 900 (W-XGA+)
Display Colours		16.77 million
Viewing Angle	Horizontal	160°
	Vertical	140°
Brightness		400 cd/m <sup>2</sup>
Contrast Ratio		600:1
Horizontal/Vertical	Horizontal	31.469 kHz to 75.000 kHz
	Vertical	48 Hz - 65 Hz
Frequency (PC signals)		48 Hz - 65 Hz
Applicable Standard		HD SDI: BTA S-004B, SMPTE292M SD SDI: ITU-R BT.656: 525/625, SMPTE259M: 525 EMBEDDED AUDIO: SMPTE299M, SMPTE272M
Audio Output		Internal: 1.0 W + 1.0 W (L/R)
Environmental Conditions	Operating temperature	5°C to 35°C
	Operating humidity	20% to 80% (non condensing)
Power Requirements		AC 120/220-240 V, 50/60 Hz/DC 12-17 V
Rated Current		0.56 A (AC 120 V), 0.36 A (AC 220-240 V) 3.0 A (DC 12-17 V)
Dimensions (WxHxD)	With desktop stand	395 x 344.8 x 199 mm
	Without stand	395 x 304 x 86 mm
Weight	Excluding stand	5.3 kg
	Including stand	7 kg
Provided Accessories		AC power cord, power cord holder, screw x 2 (for power cord holder), Ferrite core x 1 (for external battery)
Option		Protective screen/rack mount adapter

### Input/Output Terminals

		screw x 2 (for power cord holder)
Video	VIDEO	Composite video signal input/output: 1 line, BNC x 2, 1 V (p-p), 75 ohms (IN and OUT are connected with a bridge connection) (auto termination)
	DVI-D (HDCP)	DVI-D signal input (compatible with HDCP); DVI-D connector x 1 (compatible with DDC2B)
	COMPO. (Y, Pb/B-Y, Pr/R-Y)	Analogue component signal input/output: 1 line, BNC x 6 Video signal: Y: 1 V (p-p), 75 ohms, Pb/B-Y, Pr/R-Y: 0.7 V (p-p), 75 ohms (IN and OUT are connected with a bridge connection) (auto termination)
	HD/SD SDI (IN 1)	Digital signal input (compatible with EMBEDDED AUDIO): Auto detection, 1 line, BNC x 1
	HD/SD SDI (OUT)	Digital signal output (compatible with EMBEDDED AUDIO) 1 line (switched out), BNC x 1
Audio	AUDIO ASSIGN	Analogue audio signal input: 1 line, RCA x 2, 500 mV (rms), high impedance
	AUDIO ASSIGN (MONITOR OUT)	Analogue audio signal output: 1 line, RCA x 2, 500 mV (rms)
External Control	MAKE/TRIGGER	RJ-45 x 1 (8-pin)
	RS-485	RJ-45 x 2 (IN/OUT) (8-pin)
	RS-232C	D-sub (9-pin) x 1

### Dimensions



- Option ■ TS-W17FD1 (Protective screen)  
■ RK-C17D1 (Rack mount adapter)

INPUT TERMINALS	CONTROLS	FUNCTIONS	INSTALLATION	OPERATION
HD/SD-SDI Gold-plated	RS-232C	Area marker	Stand (Tilt & height adjustable)	Power AC/DC
DVI-D	RS-485 In/Out	Safety marker	Rack mount (Option)	
Audio In/Out	Make/trigger	Tally lamp	VESA	
Speaker Stereo		Time code	Carrying handle	
		CRC error		
		Audio level meter		
		Source ID display		
		1:1 mode		
		I/P mode		
		Waveform monitoring		

### Rear Panel

