

Christie LA3S

Line array surround speaker

Revolutionary line array surround

The Christie® LA3S represents a groundbreaking combination of ribbon driver technology with a unique parabolic line array design in a single compact articulated cabinet. Purpose-built for cinema surround audio applications, the Christie LA3S is an industry first. Providing perfect timbre matching with our Christie LA series speakers, the Christie LA3S is the premium solution for immersive audio applications. The extremely low mass of the ribbon drivers allow the Christie LA3S to respond very quickly to signals, eliminating the effects of high frequency breakup and power compression to provide superior surround audio and an extended optimal listening area throughout the entire auditorium.



Key features

Christie exclusive single enclosure, parabolic line array design

Perfect timbre matching with the Christie LA series speakers

6 x 3.5" ribbon drivers, plus
4 x 5.25" paper/Kevlar composite
cone drivers

Dramatically higher RMS to peak
max SPL ratio than compression
driver systems

Extremely even, wide 120° x 60°
coverage, typically within
4-6dB SPL throughout the
entire audience area

Enhanced clarity and voice
intelligibility of surround effects

Overhead rated with integrated
mounting points

Limited five year warranty

Surround effects with superior versatility

Featuring several mounting options, the Christie LA3S can be integrated in a variety of locations including wall, corner or ceiling. With a very wide 120° horizontal and controlled 60° vertical dispersion, the Christie LA3S is the ideal premium surround speaker for optimal coverage in ±300 seat auditoriums.



Specifications

| | |
|--|--|
| System type | • Coaxial parabolic ribbon driver line array, 2-way, passive, in a single vented enclosure |
| Driver components | • 6 x 3.5" ribbon drivers with Kapton diaphragm and Neodymium magnets • 4 x 5.25" paper Kevlar composite cone drivers |
| Crossover | • Linear phase, 2-way, passive @ 1.5kHz, 12dB/octave |
| Frequency response | • 80Hz-20kHz @ -6dB, 2pi |
| Maximum SPL | • 117dB, continuous ¹ , 129dB, peak ² |
| System coverage³ | • 120° horizontal dispersion • 60° vertical dispersion |
| Sensitivity⁴, 1m/2.83V | • 92.0dB (150Hz-5kHz) |
| Power handling^{1,2} | • 300W (AES) continuous • 600W (IEC) short-term (12dB crest factor) |
| Recommended amplifier power | • 300-450W (FTC) @ 8 ohms |
| Rated impedance | • 8 ohms |
| Input connectors | • Screw terminal barrier strip |
| Enclosure | • Closed box alignment • 18mm marine plywood • Heavily damped and braced • Rated for overhead applications |
| Mounting options | • Wall or ceiling mounted using 4 x M8 points |
| Accessories (optional) | • BKW-SUR, Allen Products MM-016 |
| Dimensions | • (LxWxH) 9.4 x 10.7 x 21.9" (238 x 271 x 556mm) |
| Net weight | • 24lbs (11kg) |
| Warranty | • Limited five year warranty |

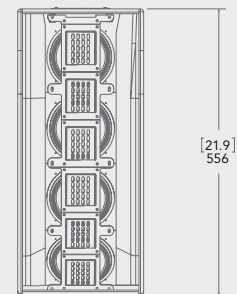
¹ AES, 6dB crest factor at 1m. Calculated based on sensitivity and AES power handling.

² Short-term IEC 268-5 pink noise, 12dB crest factor, the crest factor was specifically increased to reflect real life parameters of digital cinema sound tracks. Peak SPL calculated based on short-term power, 3dB reduction is used for compression effects.

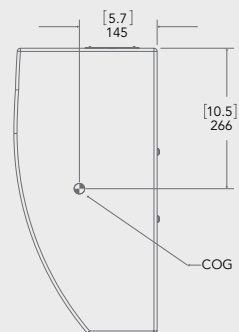
³ Averaged in 500Hz-10kHz range at -6dB. Acoustic axis is at -15 degrees below the top panel plane of the speaker.

⁴ Measured at 4m, parameters scaled back to 1m.

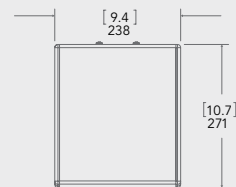
Front view



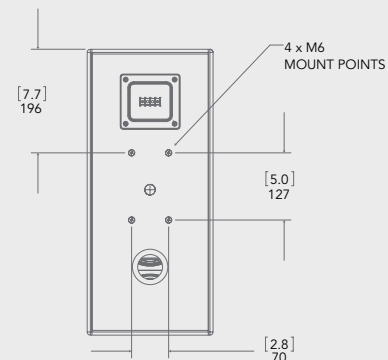
Side view



Top view



Back view



Corporate offices

Christie Digital Systems USA, Inc.
USA – Cypress
ph: 714 236 8610

Christie Digital Systems Canada Inc.
Canada – Kitchener
ph: 519 744 8005

Worldwide offices

Australia
ph: +61 (0) 7 3844 9514

Brazil
ph: +55 (11) 2548 4753

China (Beijing)
ph: +86 10 6561 0240

China (Shanghai)
ph: +86 21 6278 7708

Eastern Europe and
Russian Federation
ph: +36 (0) 1 47 48 100

France
ph: +33 (0) 1 41 21 44 04

Germany
ph: +49 2161 664540

India
ph: +91 (080) 6708 9999

Japan (Tokyo)
ph: 81 3 3599 7481

Korea (Seoul)
ph: +82 2 702 1601

Republic of South Africa
ph: +27 (0)11 510 0094

Singapore
ph: +65 6877 8737

Spain
ph: +34 91 633 9990

United Arab Emirates
ph: +971 4 3206688

United Kingdom
ph: +44 (0) 118 977 8000

**Independent sales
consultant offices**

Italy
ph: +39 (0) 2 9902 1161



Kitchener, Ontario

For the most current specification information, please visit www.christiedigital.com

Copyright 2013 Christie Digital Systems USA, Inc. All rights reserved. All brand names and product names are trademarks, registered trademarks or tradenames of their respective holders. Christie Digital Systems Canada Inc.'s management system is registered to ISO 9001 and ISO 14001. Performance specifications are typical. Due to constant research, specifications are subject to change without notice. Printed in Canada on recycled paper. 3646 Aug 13

CHRISTIE